

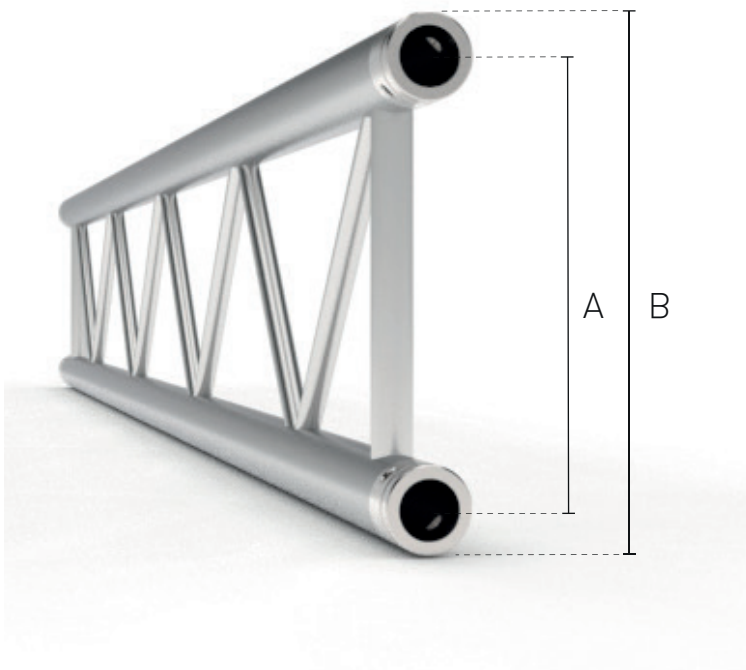


# A30M Ladder Truss

Ladder system A30M is 30 cm in size, main tube wall thickness is 2 mm. It has a wide range of uses such as light and medium loads and decorative applications.

They are ideal systems to use especially in decorative applications. It provides fast assembly thanks to the connection with the Conical Socket. In addition to its own aluminum color, different color applications are also

possible with static powder paint. It allows the implementation of all kinds of special designs with its lengths in standard and intermediate sizes, corner connections at different angles.



While strength and durability are maintained at a high level with the Conical Socket, the biggest advantage of the connection is that it provides fast and easy assembly to the truss. Also, as a connection type, ATSS represents the widest range of aluminum truss products. The application is almost limitless, from small lighting truss design to large scale roof systems.

## A30M

|    | Main Tube | Diagonals | Alloy   | A   | B   | C |  | Connection     |
|----|-----------|-----------|---------|-----|-----|---|--|----------------|
| mm | 50x2      | 18x2.5    | 6082 T6 | 200 | 300 |   |  | Conical Socket |

### Available standard lengths and weights

| m  | 0,5 m   | 1 m     | 1,5 m   | 2 m     | 2,5 m   | 3 m     | 4 m     |
|----|---------|---------|---------|---------|---------|---------|---------|
| kg | 0,60 kg | 1,10 kg | 1,60 kg | 2,10 kg | 2,40 kg | 2,90 kg | 3,80 kg |

Code

# A30M

