

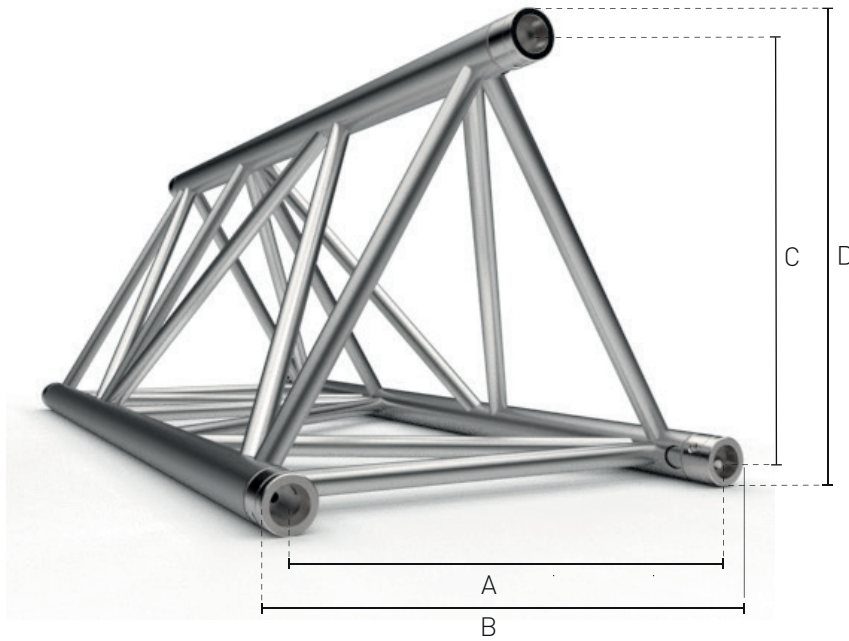


A52T Triangular Truss

The A52T triangular Truss system consists of three main tubes and intermediate tubes, used for medium-duty loads. Display is indispensable for large and medium projects.

Connections in A52T model, Both conical pin and single pin connection systems can be applied optionally. Thanks to their 3 mm wall thickness, the A52T models allow

installation with heavier loads and wider distances. Static analysis and structural designs were made according to DIN 4112, DIN 4113-1, DIN 4113-1 A1 and DIN 4113-2 standards, and TUV SUD approved loading tables were prepared.



While strength and durability are maintained at a high level with the Conical Socket, the biggest advantage of the connection is that it provides fast and easy assembly to the truss. Also, as a connection type, ATSS represents the widest range of aluminum truss products. The application is almost limitless, from small lighting truss design to large scale roof systems.

A52T	Main Tube	Diagonals	Alloy	A	B	C	D
mm	50x2.5	10x1.5	6082 T6	190	520	164	457,03

Available standard lengths and weights

m	0,5 m	1 m	1,5 m	2 m	2,5 m	3 m	4 m
kg	0,60 kg	1,10 kg	1,60 kg	2,10 kg	2,40 kg	2,90 kg	3,80 kg

Kod / Code

A52T

