

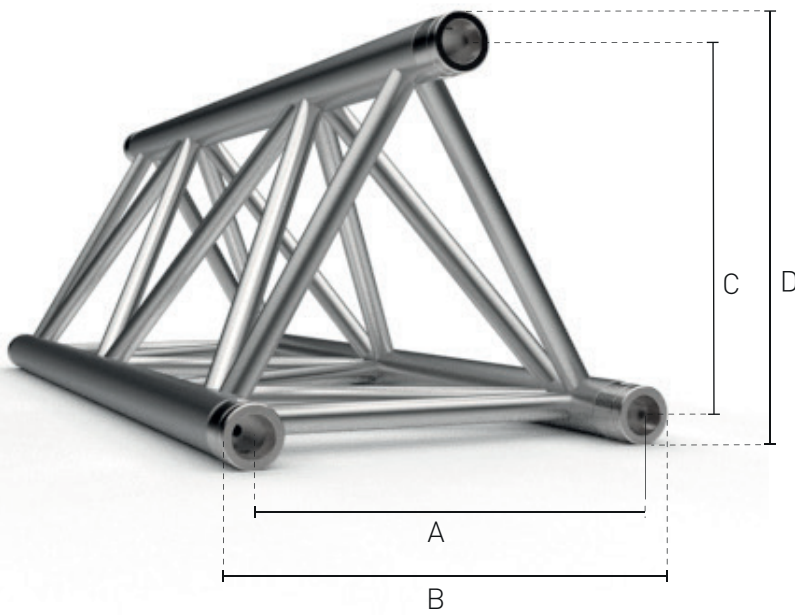


A40T Triangular Truss

The A40T triangular Truss system consists of three main tubes and intermediate tubes, used for medium-duty loads. Fairs are indispensable for medium projects.

Connections in A40T model, Both conical Socket and Single pin connection systems can be applied optionally. Thanks to

its 3 mm wall thickness, the A40T model allows installation with heavier loads and wider distances. Static analysis and structural designs were made according to DIN 4112, DIN 4113-1, DIN 4113-1 A1 and DIN 4113-2 standards, and TUV SUD approved loading tables were prepared.



While strength and durability are maintained at a high level with the Conical Socket, the biggest advantage of the connection is that it provides fast and easy assembly to the truss. Also, as a connection type, ATSS represents the widest range of aluminum truss products. The application is almost limitless, from small lighting truss design to large scale roof systems.

A40T	Main Tube	Diagonals	Alloy	A	B	C	D
mm	50x2.5	10x1.5	6082 T6	390	400	343.1	353.1

Available standard lengths and weights

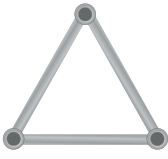
m	0,5 m	1 m	1,5 m	2 m	2,5 m	3 m	4 m
kg	0,60 kg	1,10 kg	1,60 kg	2,10 kg	2,40 kg	2,90 kg	3,80 kg

Kod / Code

A40T



ATSS A-40T Static Table



Span		Q			F			F		
		Divided Load (UDL)		Deflection	Center Point Load		Deflection	Single Load in Three Points		Deflection
m	ft	(kg-m)	(lbs/f)	cm	(kg)	(lbs)	cm	(kg)	(lbs)	cm
1	3,28	4137	2780	0,03	3937	8679	0,05	2068	4560	0,04
2	6,56	1964	1320	0,25	1964	4330	0,20	1473	3248	0,22
3	9,84	870	585	0,55	1305	2877	0,44	979	2158	0,49
4	13,12	487	327	0,97	974	2147	0,78	730	1610	0,87
5	16,40	310	208	1,51	774	1706	1,21	580	1280	1,34
6	19,69	213	143	2,16	640	1411	1,73	480	1058	1,92
7	22,97	155	104	2,91	543	1198	2,33	407	8987	2,59
8	26,25	118	79	3,76	470	1036	3,01	353	777	3,34
9	29,53	92	62	4,70	413	910	3,76	309	682	4,18
10	32,81	73	49	5,72	366	807	4,58	275	605	5,08
11	36,09	60	40	6,81	327	722	5,45	246	541	6,05
12	39,37	49	33	7,96	295	650	6,37	221	488	7,08
13	42,65	41	28	9,16	267	588	7,33	200	441	8,14
14	45,93	35	23	10,39	242	534	8,31	182	401	9,24
15	49,21	29	20	11,64	221	487	9,31	166	365	10,35
16	52,49	25	17	12,90	202	444	10,32	151	333	11,47
17	55,77	22	15	14,15	184	406	11,32	138	305	12,58
18	59,06	19	13	15,37	169	372	12,29	127	279	13,66